

4

3

2

1

THIS DRAWING IS UNPUBLISHED.  
DIFFUSION RESTREINTE

RELEASED FOR PUBLICATION  
LIBRE A LA DIFFUSION

2011

© COPYRIGHT 2011

by Tyco Electronics Corporation

ALL RIGHTS RESERVED.  
TOUS DROITS RESERVES

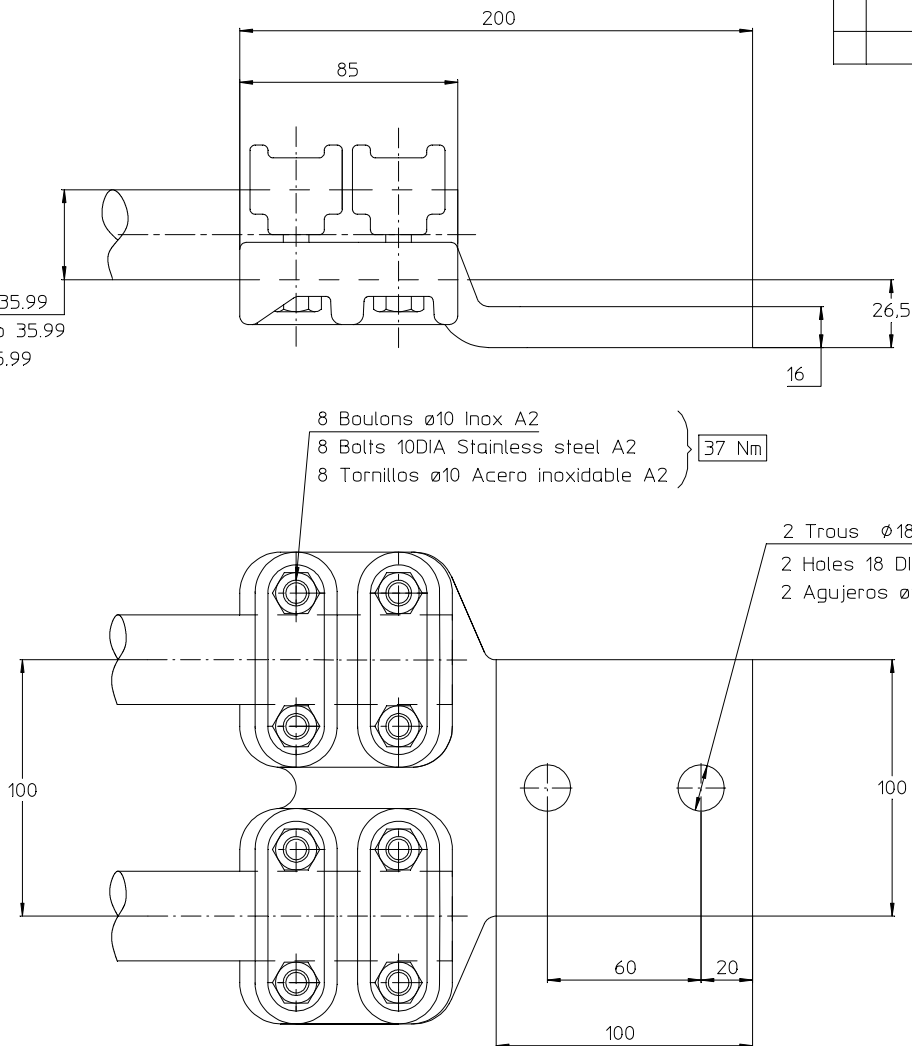
LOC -

DIST -

REVISIONS


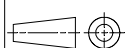
P	LTR REV	DESCRIPTION MODIFICATIONS	DATE	DWN DESS	APVD APPR
	A	CREATION	30-Jun-15	JPM	-

Cable ou tube  $\varnothing 31$  à 35.99  
 Cable or tube 31DIA to 35.99  
 Cable o tubo  $\varnothing 31$  a 35.99



8 Boulons  $\varnothing 10$  Inox A2  
 8 Bolts 10DIA Stainless steel A2  
 8 Tornillos  $\varnothing 10$  Acero inoxidable A2 } 37 Nm

2 Trous  $\varnothing 18$   
 2 Holes 18 DIA  
 2 Agujeros  $\varnothing 18$

THIS DRAWING IS A CONTROLLED DOCUMENT. LE PLAN EST UN DOCUMENT CONTROLÉ PAR TYCO ELECTRONICS CORPORATION IL EST SUSCEPTIBLE D'ÊTRE REVISÉ POUR OBTENIR LA DERNIÈRE RÉVISION. CONTACTER LE SERVICE TECHNIQUE DE TYCO ELECTRONICS SHEL SAS 4220 LEVREY-CHAMBERTIN, FRANCE		DWN / DESSINE MOYEUR	30-Jun-15	 <b>TE connectivity</b> <b>SIMEL PRODUCTS</b>	
DIMENSIONS: mm		CHK/VERIFIE	-		
TOLERANCES UNLESS OTHERWISE SPECIFIED PER TOLERANCES NON SPECIFIEES SELON :-		APVD/APPROUVE	-	NAME TITRE CD 82 F 35 E100 100 C892	
		PRODUCT SPEC SPEC. PRODUCT 02BFC0031	-	SIZE FORMAT A3	CAGE CODE 00779
MATERIAL MATIERE		FINISH FINITION	-	DRAWING NO No PLAN ©=2845467	RESTRICTED TO RESERVE A -
ITEM: .....		WEIGHT MASSE APPROX.	2.1 Kg	UNIQUEMENT POUR REFERENCE	SCALE ECHELLE 1/2
		CUSTOMER DRAWING /PLAN CLIENT		SHEET FEUILLE 1	OF DE 1
				REV A	